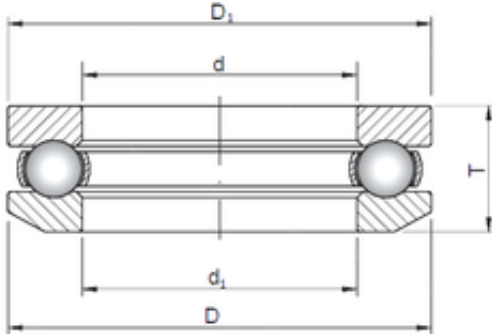




# NTN DRIVESHAFT ANDERSON, INC.

## ISO 53210 thrust ball bearings



Bearing No. 53210

Bore Diameter	50 mm
Outer Diameter	78 mm
d	50 mm
d1	52 mm
D	78 mm
D1	78 mm
T	23,5 mm

53210 Bearing 2D drawings and 3D CAD models