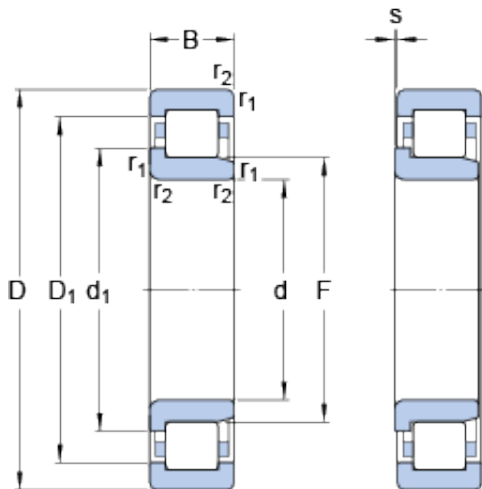




# NTN DRIVESHAFT ANDERSON, INC.



## 340 mm x 460 mm x 72 mm SKF NJ 2968 ECMA thrust ball bearings

Bearing No. NJ 2968 ECMA

Size	460x340x72 mm
Bore Diameter	460 mm
Outer Diameter	340 mm
Width	72 mm
d	340 mm
D	460 mm
B	72 mm
d <sub>1</sub>	377 mm
D <sub>1</sub>	421 mm
F	367 mm
r <sub>1,2</sub> - min.	3 mm
s	3.8 mm
d <sub>a</sub> - min.	353 mm
d <sub>a</sub> - max.	363 mm
d <sub>b</sub> - min.	381 mm
D <sub>a</sub> - max.	447 mm
r <sub>a</sub> - max.	2.5 mm
Basic dynamic load rating - C	1020 kN
Basic static load rating - C <sub>0</sub>	2040 kN
Fatigue load limit - P <sub>u</sub>	186 kN
Reference speed	1400 r/min
Limiting speed	1900 r/min
Calculation factor - k <sub>r</sub>	0.07
d <sub>1</sub>	377 mm

NJ 2968 ECMA Bearing 2D drawings and 3D CAD models



## NTN DRIVESHAFT ANDERSON, INC.

$D_1$	421 mm
$r_{1,2}$ min.	3 mm
s max.	3.8 mm
$d_a$ min.	353 mm
$d_a$ max.	363 mm
$d_b$ min.	381 mm
$D_a$ max.	447 mm
$r_a$ max.	2.5 mm
Basic dynamic load rating C	1020 kN
Basic static load rating $C_0$	2040 kN
Fatigue load limit $P_u$	186 kN
Calculation factor $k_r$	0.07
Limiting value e	0.3
Axial load factor Y	0.4
Mass bearing	37 kg