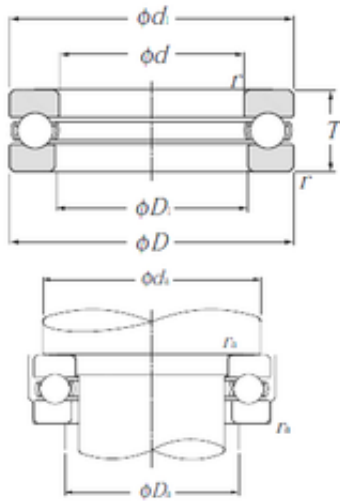




NTN DRIVESHAFT ANDERSON, INC.



NTN 51100 thrust ball bearings

Bearing No. 51100

51100 Bearing 2D drawings and 3D CAD models

Size	10x24x9 mm
Bore Diameter	10 mm
Outer Diameter	24 mm
Width	9 mm
d	10 mm
D	24 mm
T	9 mm
d1	24 mm
r min.	0,3 mm
D1	11 mm
da min.	18 mm
Da max.	16 mm
ra max.	0,3 mm
Weight	0,021 Kg
Basic dynamic load rating (C)	10 kN
Basic static load rating (C0)	14 kN
(Grease) Lubrication Speed	6 700 r/min
Category	Thrust Ball Bearing
Inventory	0.0
Manufacturer Name	NTN
Minimum Buy Quantity	N/A
Weight / Kilogram	0.018
EAN	4547359305807
Product Group	B00308
Rolling Element	Ball Bearing
Thrust Bearing	Yes



NTN DRIVESHAFT ANDERSON, INC.

Single or Double Direction	Single Direction
Banded	No
Cage Material	Steel
Precision Class	ABEC 1 ISO P0
Component Description	Roller Assembly Plus Raceways
Other Features	Single Row With Flat Seat
Long Description	10MM Bore 1; 11MM Bore 2; 24MM Outside Diameter; 9MM Height; Ball Bearing; Single Direction; Not Banded; Steel Cage; ABEC 1 ISO P0 Precision
Inch - Metric	Metric
Category	Thrust Ball Bearings
UNSPSC	31171552
Harmonized Tariff Code	8482.10.50.08
Noun	Bearing
Keyword String	Ball Thrust
Manufacturer URL	http://www.ntnamerica.com
Manufacturer Item Number	51100
Weight / LBS	0.0463
Outside Diameter	0.945 Inch 24 Millimeter
Overall Height with Aligning Washer	0 Inch 0 Millimeter
Bore 2	0.433 Inch 11 Millimeter
Height	0.354 Inch 9 Millimeter
Bore 1	0.394 Inch 10 Millimeter
bore diameter:	10 mm
dynamic load capacity:	10000 N
outside diameter:	24 mm
operating temperature range:	-40 to 120 ° C
overall width:	9 mm



NTN DRIVESHAFT ANDERSON, INC.

maximum rpm:	9500 rpm
thrust bearing type:	Single-Direction
bearing material:	High Carbon Chrome Steel
outside diameter design:	Straight
cage material:	Resin
separable or banded:	Separable
fillet radius:	0.3 mm
precision rating:	ISO Class 0
series:	511
static load capacity:	14000 N
manufacturer product page:	Click here