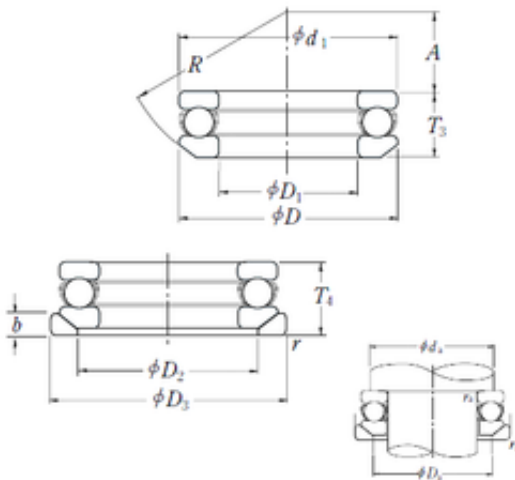




NTN DRIVESHAFT ANDERSON, INC.

NSK 53405U thrust ball bearings

Bearing No. 53405U



53405U Bearing 2D drawings and 3D CAD models

Size	25x60x29 mm
Bore Diameter	25 mm
Outer Diameter	60 mm
Width	29 mm
d	25 mm
D	60 mm
T	29 mm
b	8 mm
d1	60 mm
r min.	1 mm
A	19 mm
D1	27 mm
D2	42 mm
D3	62 mm
R	50 mm
da min.	46 mm
Da max.	39 mm
ra max.	1 mm
Weight	0,426 Kg
Basic dynamic load rating (C)	56 kN
Basic static load rating (C0)	89,5 kN
(Grease) Lubrication Speed	2600 r/min
SRI	6.85
hidYobi	53405U
LangID	1
D_	60



NTN DRIVESHAFT ANDERSON, INC.

SREX	0.05
C	56
B_	29
hidTable	ecat_NSSDTB
Oil rpm	4000
SRE	6.85
mass	0.426
GRS rpm	2600
ra	1
SRIX	0
T4	29
D_3	62
D_a	39
SRIN	0
C0	89.5
D_2	42
SREN	0
D_1	27
Prod_Type3	TB_SD_WASW
da	46
DA_	12.7
Z_	9
yobi	53405U
A_	19
T3	26.4
SDM_	42.5
r	1
KBRG	5131
R_	50