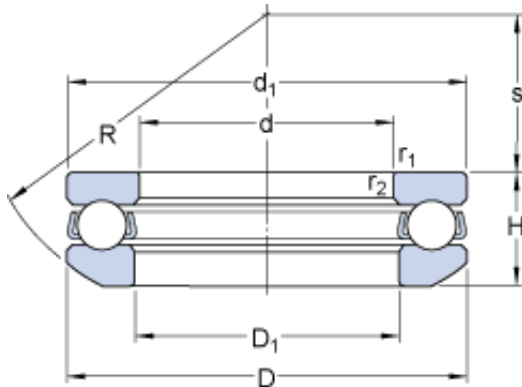




NTN DRIVESHAFT ANDERSON, INC.



SKF 53201 + U 201 thrust ball bearings

Bearing No. 53201 + U 201

Size	28x12x11.4 mm
Bore Diameter	28 mm
Outer Diameter	12 mm
Width	11,4 mm
d	12 mm
D	28 mm
H	11.4 mm
H ₁	13 mm
d ₁	28 mm
D ₁	14 mm
D ₂	20 mm
D ₃	30 mm
C	3.5 mm
R	25 mm
s	11.5 mm
r _{1,2} - min.	0.6 mm
d _a - min.	22 mm
D _a - max.	20 mm
r _a - max.	0.6 mm
Basic dynamic load rating - C	13.3 kN
Basic static load rating - C ₀	20.8 kN
Fatigue load limit - P _u	0.765 kN
Reference speed	8000 r/min
Limiting speed	11000 r/min

53201 + U 201 Bearing 2D drawings and 3D CAD models



NTN DRIVESHAFT ANDERSON, INC.

Minimum load factor - A	0.0022
H_1	13 mm
d_1	28 mm
D_1	14 mm
D_2	20 mm
D_3	30 mm
$r_{1,2}$ min.	0.6 mm
d_a min.	22 mm
D_a max.	20 mm
r_a max.	0.6 mm
Basic dynamic load rating C	13.3 kN
Basic static load rating C_0	20.8 kN
Fatigue load limit P_u	0.765 kN
Minimum load factor A	0.0022
Mass bearing (including seat washer where applicable)	0.045 kg