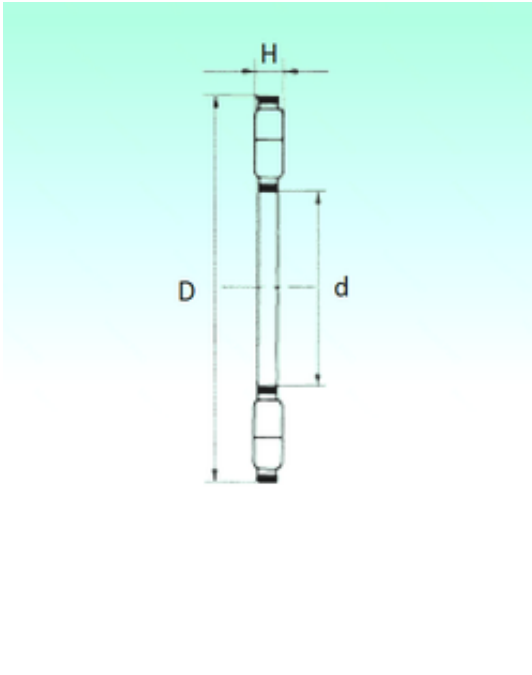




NTN DRIVESHAFT ANDERSON, INC.



K89330-M Bearing 2D drawings and 3D CAD models

NBS K89330-M thrust roller bearings

Bearing No. K89330-M

Bore Diameter	150 mm
Outer Diameter	250 mm
d	150 mm
D	250 mm
Dw	19 mm
Weight	2,51 Kg
Basic dynamic load rating (C)	837,9 kN
Basic static load rating (C0)	3347,9 kN