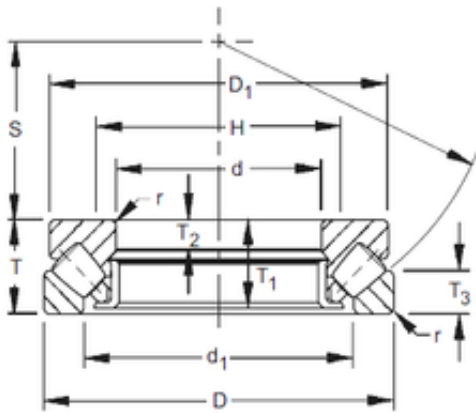




NTN DRIVESHAFT ANDERSON, INC.

380 mm x 670 mm x 63 mm Timken 29476 thrust roller bearings

Bearing No. 29476



29476 Bearing 2D drawings and 3D CAD models

Size	380x670x175 mm
Bore Diameter	380 mm
Outer Diameter	670 mm
Width	175 mm
d	380 mm
D	670 mm
T	175 mm
B	63 mm
C	85 mm
r max	6,1 mm
T1	168 mm
d1	504 mm
D1	640 mm
H	510 mm
S	220 mm