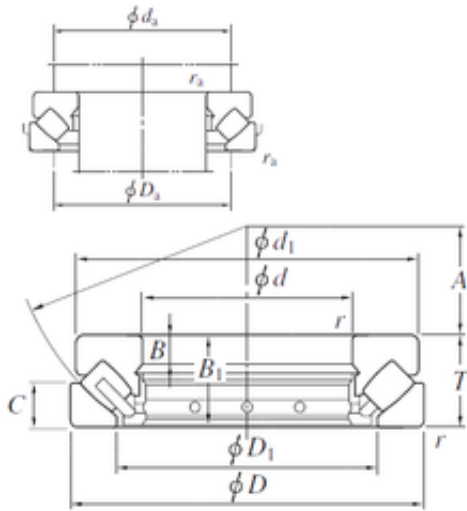




NTN DRIVESHAFT ANDERSON, INC.

170 mm x 340 mm x 37 mm KOYO 29434R thrust roller bearings

Bearing No. 29434R



29434R Bearing 2D drawings and 3D CAD models

Size	170x340x103 mm
Bore Diameter	170 mm
Outer Diameter	340 mm
Width	103 mm
d	170 mm
D	340 mm
T	103 mm
d1	324 mm
r min.	5 mm
A	104 mm
B	37 mm
B1	99 mm
C	50 mm
D1	243 mm
da min.	245 mm
Da max.	285 mm
ra max.	4 mm
Weight	440 Kg
Basic dynamic load rating (C)	1740 kN
Bearing No.	29434R
r(min)	5
Ca	2120
Coa	5880
Oil lub.	950
da(min)	245



NTN DRIVESHAFT ANDERSON, INC.

Da(max)	285
ra(max)	4
(Refer.) Mass(kg)	44.0