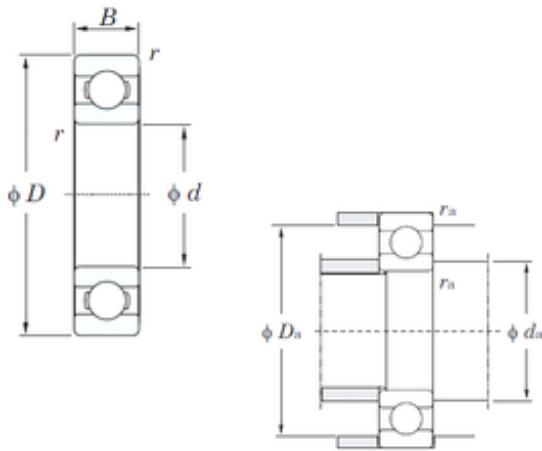




NTN DRIVESHAFT ANDERSON, INC.



SKF/NSK/Koyo/NTN 6205 High Speed and Low Noise Deep Groove Ball Bearing

Bearing No. 6205

6205 Bearing 2D drawings and 3D CAD models

Size	25x52x15 mm
Bore Diameter	25 mm
Outer Diameter	52 mm
Width	15 mm
d	25 mm
D	52 mm
B	15 mm
C	15 mm
r min.	1 mm
da min.	30 mm
Da max.	47 mm
ra max.	1 mm
Weight	0,128 Kg
Basic dynamic load rating (C)	14 kN
Basic static load rating (C0)	7,85 kN
(Grease) Lubrication Speed	13000 r/min
(Oil) Lubrication Speed	15000 r/min
Category	Single Row Ball Bearings
Inventory	0.0
Manufacturer Name	KOYO
Minimum Buy Quantity	N/A
Weight / Kilogram	0.142
EAN	0605790059476
Product Group	B00308
Enclosure	Open



NTN DRIVESHAFT ANDERSON, INC.

Precision Class	ABEC 1 ISO P0
Maximum Capacity / Filling Slot	No
Rolling Element	Ball Bearing
Snap Ring	No
Internal Special Features	No
Cage Material	Steel
Internal Clearance	C0-Medium
Inch - Metric	Metric
Long Description	25MM Bore; 52MM Outside Diameter; 15MM Outer Race Width; Open; Ball Bearing; ABEC 1 ISO P0; No Filling Slot; No Snap Ring; No Internal Special Features; C0-Medium Internal Clearance; Steel Cage
Other Features	Deep Groove
Category	Single Row Ball Bearing
UNSPSC	31171504
Harmonized Tariff Code	8482.10.50.68
Noun	Bearing
Keyword String	Ball
Manufacturer URL	http://www.koyousa.com
Weight / LBS	0.28219
Inner Race Width	0 Inch 0 Millimeter
Outer Race Width	0.591 Inch 15 Millimeter
Bore	0.984 Inch 25 Millimeter
Outside Diameter	2.047 Inch 52 Millimeter
Bearing No.	6205
r(min)	1
Cr	17.5
C0r	7.85
Cu	0.550



NTN DRIVESHAFT ANDERSON, INC.

f0	13.9
Grease lub.	13000
Oil lub.	15000
da(min)	30
Da(max)	47
ra(max)	1
(Refer.) Mass(kg)	0.128